

- Qty (12 ea) Smooth Full Round FG Columns , 14" Dia x 9'-0" Ht w / Tuscan C - B Set
 - Qty (8 ea) Smooth Half Round FG Columns , 14" Dia x 9'-0" Ht w / Tuscan C - B Set
 - Qty (1 ea) Smooth 3/4 Round FG Columns , 14" Dia x 9'-0" Ht w / Tuscan C - B Set
 - Qty (2 ea) Main Beam w / (2) Scroll Ends , 12" x 12" x 16'-6"
 - Qty (2 ea) Main Beam w / (1) Scroll End , 12" x 12" x 16'-6"
 - Qty (2 ea) Main Beam w / (1) Scroll End , 12" x 12" x 15'-6"
 - Qty (2 ea) Main Beam w / (1) Scroll End , 12" x 12" x 13'-0"
 - Qty (4 ea) Cross Beam Notched Over Beam w / (1) Scroll End , 8" x 12" x 15'-4 1/2"
 - Qty (4 ea) Cross Beam Notched Over Beam w / sq Ends , 8" x 12" x 12'-6 3/4"
 - Qty (2 ea) Cross Beam Notched Over Beam w / sq Ends , 8" x 12" x 12'-2 1/2"
 - Qty (2 ea) Cross Beam Notched Over Beam w / sq Ends , 8" x 12" x 10'-8 1/2"
 - Qty (1 ea) Cross Beam Notched Over Beam w / sq Ends , 8" x 12" x 17'-4"
 - Qty (1 ea) Cross Beam Notched Over Beam w / sq Ends , 8" x 12" x 14'-4"
 - Qty (10 ea) Purlin w / (2) Bevel Ends , 4" x 6" x 16'-6"
 - Qty (8 ea) Purlin w / (1) Bevel Ends , 4" x 6" x 16'-4"
 - Qty (35 ea) Purlin w / (1) Bevel Ends , 4" x 6" x 15'-6"
 - Qty (4 ea) Purlin w / (1) Bevel Ends , 4" x 6" x 13'-6"
 - Qty (7 ea) Cantilever Beam w/ End Scroll , 8" x 12" x 4'-4"
 - Qty (1 ea) Modified Corner Beam w/ End Scroll , 8" x 12" x 16'-6"
 - Qty (8 ea) Purlin w/ Sq Ends , 4" x 6" x 11'-9"
 - Qty (2 ea) Purlin w/(1) Bevel Ends , 4" x 6" x 15'-0"
- All Members w/ Inlaid Aluminum Reinforcing
Attachment Hardware Included

EXPOSED SURFACES

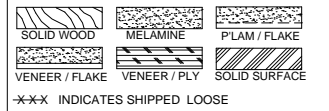
HARDWARE SCHEDULE

EXCLUSIONS

GENERAL NOTES:

All Dimensions To Be Field Verified

HATCH LEGEND



REVISION	DATE	IN

CHEYENNE 68 E Dudley Town Rd.
 Leaders in Composite Fabrications Bloomfield CT 06002
 800.676.8840

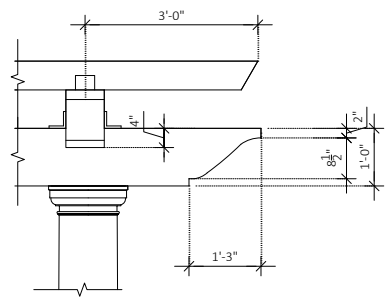
JOB NAME:
NICHOLS COLLEGE PERGOLA

ARCHITECT:
 CONTRACTOR:
 DRAWING TITLE:
CUSTOM PVC PERGOLA

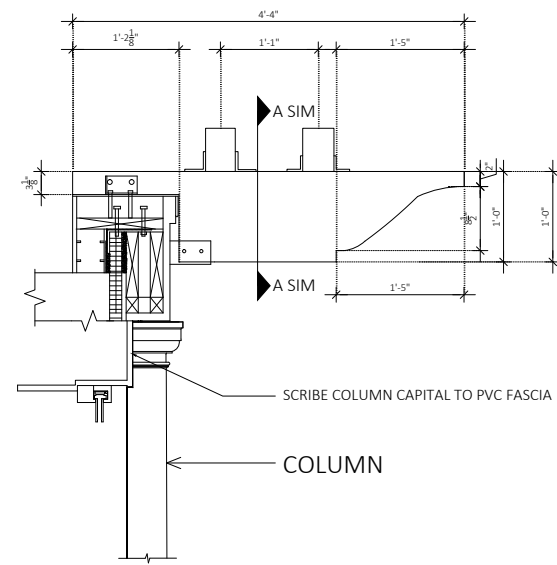
SCALE	DRAWN BY	APPD. BY
AS NOTED		
DATE	JOB #	DRAWING #
19 September 2018		1.001

CUSTOM PVC PERGOLA

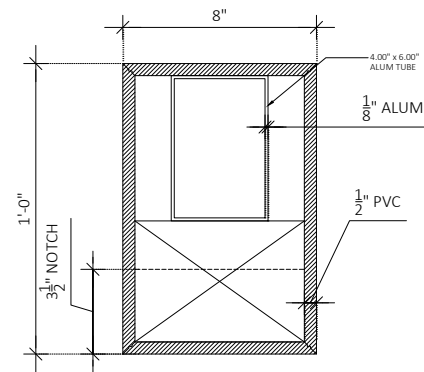
QTY (1)



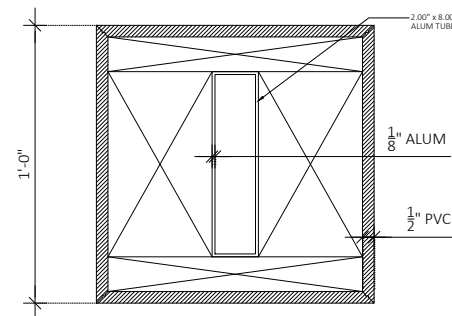
DETAIL A-A



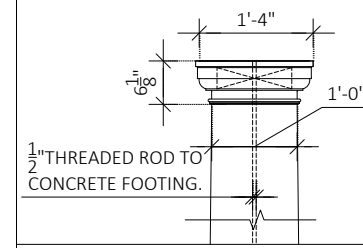
SECTIONAL DETAIL C-C



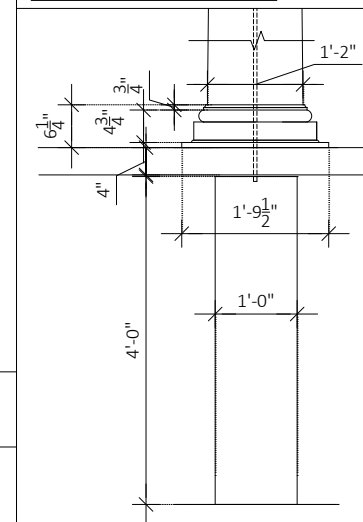
SECTION A-A



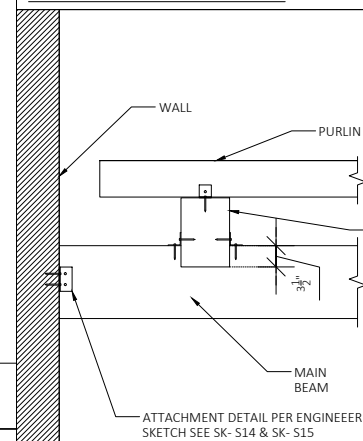
SECTION B-B



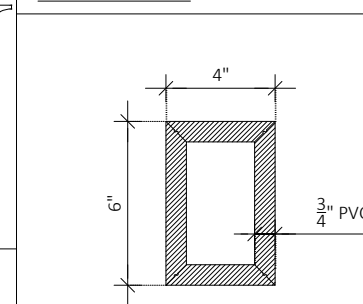
COLUMN CAPITAL



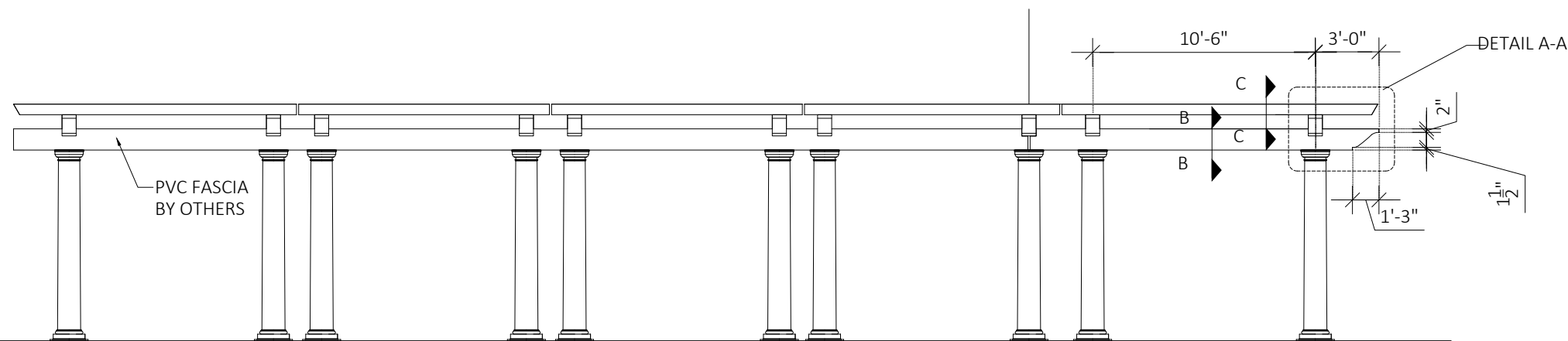
COLUMN FOOTING



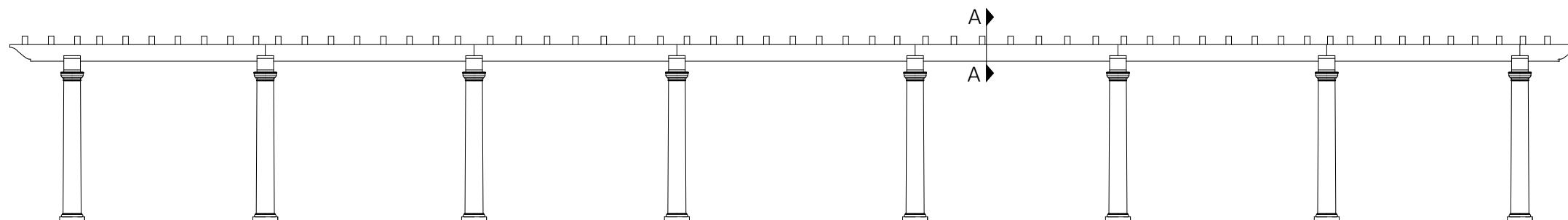
DETAIL B-B



SECTION C-C



SOUTH ELEVATION - B



EAST ELEVATION - A

NOTE: ALL COLUMNS 9'-0" - FIELD CUT TO HEIGHT BY INSTALLER

EXPOSED SURFACES

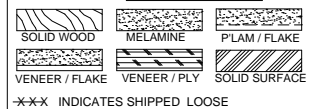
HARDWARE SCHEDULE

EXCLUSIONS

GENERAL NOTES:

All Dimensions To Be Field Verified

HATCH LEGEND



REVISION DATE IN

CHEYENNE 68 E Dudley Town Rd.
Bloomfield CT 06002
Leaders in Composite Fabrications 800.676.8840

JOB NAME:
NICHOLS COLLEGE PERGOLA

ARCHITECT:
CONTRACTOR:
DRAWING TITLE:
CUSTOM PVC PERGOLA

SCALE AS NOTED DRAWN BY APPD. BY
DATE 19 September 2018 JOB # DRAWING #
1.002